

OWNER'S MANUAL



Warning

- ! Do not slide, climb, or play on pole.
- ! Keep organic material away from pole base. Grass, litter, etc. could cause corrosion and /or deterioration.
- ! Check pole system twice a year for signs of corrosion (rust, pitting, and chipping). Remove rust and/or loose paint completely and repaint with exterior enamel paint. If rust has penetrated through the steel anywhere, replace pole immediately.
- ! Check unit before each use for loose hardware, excessive wear, and signs of corrosion and repair before using.
- ! During play, use extreme caution to keep players face away from the backboard, rim, and net.
- ! Wear a mouth guard when playing to avoid dental injuries.
- ! When adjusting height, keep hands and fingers away from moving parts.
- ! During play, do not wear jewelry (rings, watches, necklaces, etc.). Objects may entangle in net.



Hercules™ Platinum/Gold

Basketball System

WELCOME TO THE FAMILY OF HERCULES™ OWNERS

Thank you for purchasing our basketball system. We try hard to ensure that our products are of high quality and free of manufacturing defects and of missing parts. However, if you have any problems with your basketball pole, such as a manufacturing defect or a missing part please contact us at the following:

Toll Free: 1.888.600.8545

Pro Dunk® Hoops

Web: www.produnkhoops.com

22047 Lutheran Church Rd.

FAX: (281) 357-4822

Tomball, TX 77377

Please provide model number, serial number, and/or part number of the product and/or part when you call, write or email. These numbers can be found on the product, packaging, or on the back of the main pole.

Purchase Parts: www.produnkhoops.com/parts

Support: www.produnkhoops.com/support

Installation Video: https://www.produnkhoops.com/video/hercules_installation.html

Read this manual all the way through before starting to put up your system. Then read each step completely before beginning installation.

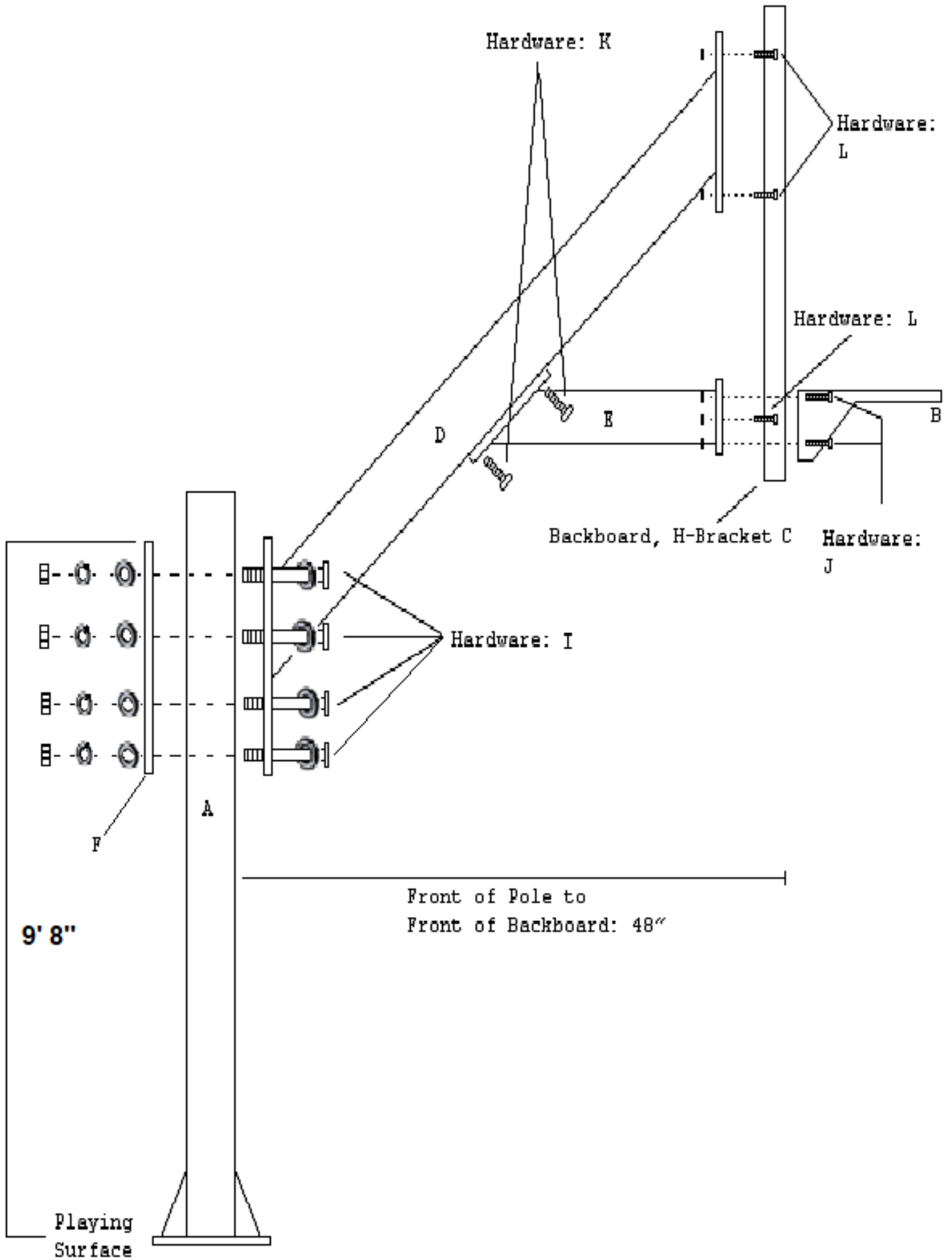


**Know what's below.
Call before you dig.**

www.Call811.com

Bill Of Materials

Ref.	Qty.	Description
A	1	Vertical Post
B	1	Rim
C	1	Backboard with H-Bracket Loosely Attached
D	1	Main Extension Arm
E	1	Short Extension Arm
F	1	28cm X 21cm Rear Extension Arm Plate
G	1	Anchor Footing Template (needed for day 1)
H	4	16mm Anchor J-Bolts (needed for day 1)
	8	16mm J-Bolt Hex Nuts (needed for day 1)
	4	16mm J-Bolt Gusseted Hex Nuts With Built-In Washer
	8	16mm Anchor J-bolt Washers
I	8	22cm X 18mm Rear Extension Arm Bolts
	16	18mm Flat Washers
	8	18mm Lock Washers
	8	18mm Hex Nuts
J	4	7.5cm X 10mm Rim Bolts
	8	10mm Flat Washers
	4	10mm Lock Washers
	4	10mm Hex Nuts
K	4	3cm X 10mm Rear Short Extension Arm Bolts
	8	10mm Flat Washers
	4	10mm Lock Washers
	0	10mm Hex Nuts
L	6	4cm X 10mm H-Bracket to Main and Small Extension Arm Bolts
	12	10mm Flat Washers
	6	10mm Lock Washers
	6	10mm Hex Nuts
M	4	Rim Spacers (installed in backboard before rim) (for the rim assembly)
N	3	Rim Plate Screws (for the rim assembly)
O	1	Metal Rim Plate (for the rim assembly)
P	1	White Mesh Net (for the rim assembly)
Q	4	Rebar (needed for day 1)
R	4	Rim Shim Washers (optional)



Safety Instructions



IMPORTANT

It is the responsibility of purchaser to ensure that all installers and players fully comply with the detailed instructions set forth in this product installation manual. Product assembly should be carried out exactly as instructed and owner supervision of use and installation is required to prevent risk of product malfunction or risk injury.

- All tools used to assemble this product should be used in compliance with manufacturer's guidelines.
- Installation of this product will require heavy lifting and bending. Any person that is not capable of such activity should not participate in the installation of this product.
- If using a ladder during assemble, use extreme caution and refer to the warnings and cautions on the ladder.
- Due to the size and weight of this product, we recommend at least (4) competent adults are present.
- Before digging the hole for the anchor system, please call 811 to ensure that all underground utilities are a safe distance away from the anchor system.
- Make sure there are no overhead power lines within a 25 foot radius of the basketball system.
- All parts and components necessary to complete proper installation are included within this product. Do not use parts not included with our system. Failure to follow this requirement could cause product malfunction and will void warranty of this product.
- Keep all organic materials away from parts and components to avoid corrosion.
- Please use caution when performing Slam Dunks on your Hercules™ system.
- Do not climb on any part of the basketball system as it was not intended for this activity.

- Do not use the basketball system as a lift or to hoist anything.
- Players should wear protective mouth guard during play to avoid any time of dental injury.
- Players should refrain from wearing any jewelry that could potentially get caught in the rim or net.
- Only hang on the rim momentarily to regain your balance. Release the rim as soon as possible.
- Do not allow children to adjust basketball system.
- Check the basketball system on a regular basis to ensure that there are no signs of deterioration or corrosion, loose hardware, or damaged parts. If you see any signs of damage perform maintenance or contact Pro Dunk® Hoops for replacement.
- For maintenance repairs please contact a professional.
- **Failure to follow these safety instructions could result in product malfunction, serious injury, or even death.**

Pro Dunk® Hoops retains the right to modify this document at any time without notice or obligation.

Keep this installation manual as a reference for your safety and the safety of those playing on the basketball system. Additional copies of these safety instructions are available by calling customer service at **1-888.600.8545** or at **www.produnkhoops.com/support**

Installation Overview

In order to have the safest, fun and longest use of your Pro Dunk® system, please note and heed the following:

- 1) Prior to goal assembly, call utility services (811) for location of underground utility lines before you dig.
- 2) Immediately unpack all components and cross check against bill of materials. Report any shortages to Hoops Inc. customer service at 1.888.600.8545.
- 3) Parts can be ordered at www.produnkhoops.com/parts
- 4) Assembly is a two part process.

PART 1

- Day 1.** Complete Anchor System Installation Instructions. (Below)
- Day 2.** Allow concrete to cure.
- Day 3** Allow concrete to cure.
- Day 4.** Allow concrete to cure.

PART 2

- Day 5.** Complete Hercules™ assembly instructions.

- 5) For safety measures, have at least 4 capable persons to assist you in assembly of your Hercules™ Goal.



**Know what's below.
Call before you dig.**

www.Call811.com

White—Proposed Excavation

Pink—Temporary Survey Markings

Red—Electric Power Lines, Cables, Conduit, and Lighting Cables

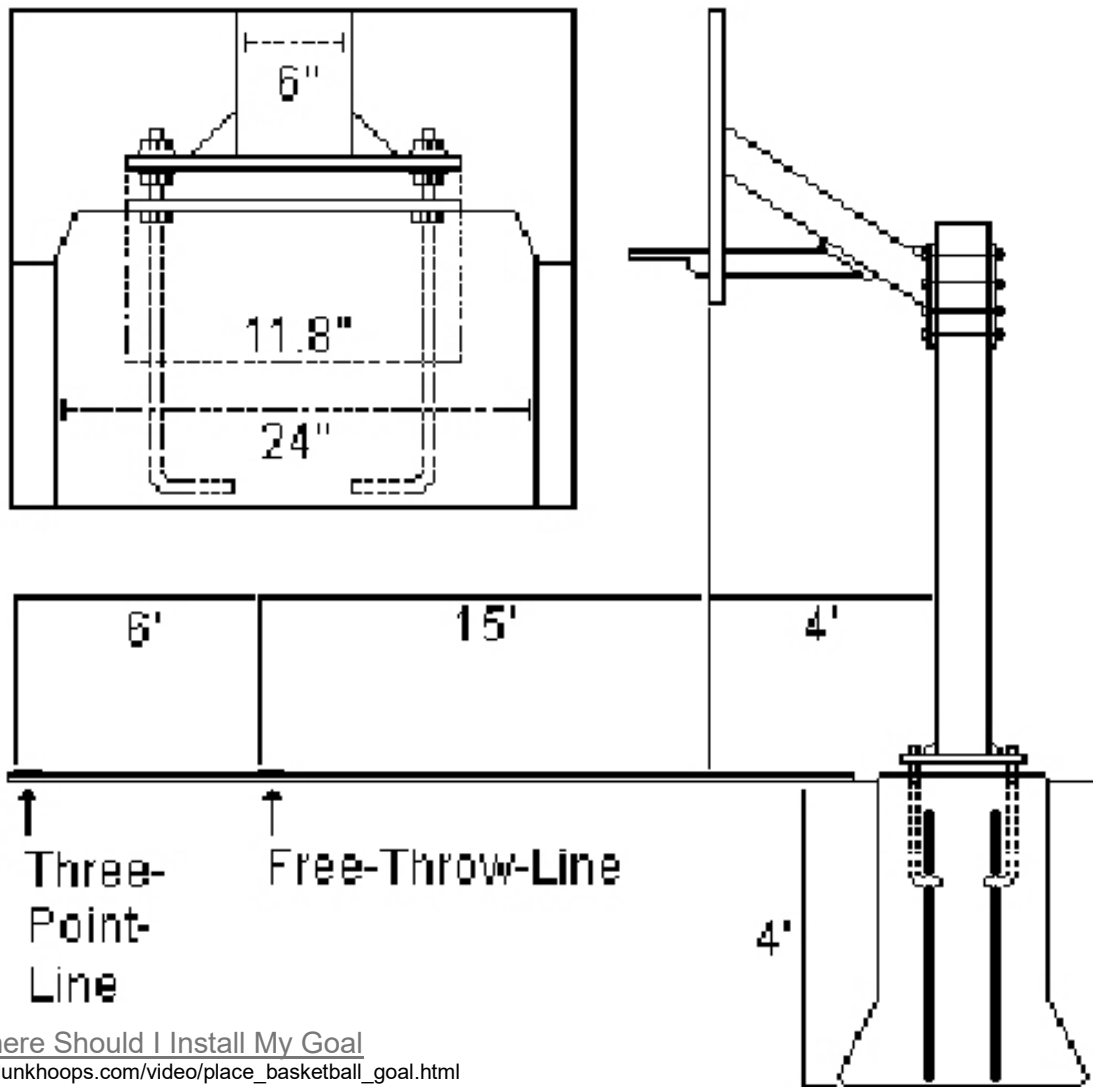
Yellow—Gas, Oil, Petroleum, or Gaseous Materials

Orange—Communication, Alarm or Signal Lines, Cables or Conduit

Blue—Portable Water

Purple—Reclaimed Water, Irrigation and Slurry Lines

Green—Sewers and Drain Lines



Where Should I Install My Goal
produnkhoops.com/video/place_basketball_goal.html

Required Tools

- Scissor Lift (or) Genie Lift (or) Scaffolding
- Ladder
- Post Hole Digger
- Shovel
- Wheel Barrow
- (20-25) 80 lbs. bags of concrete OR
(27-32) 60 lbs. bags of concrete
- Garden Hose
- Trowel
- Level
- Tape Measure
- Box Cutter
- (2) Large Crescent Wrenches
- Pencil

Socket/Wrench Sizes Recommended

- 27mm
- 24mm
- 17mm

Installation Video

Navigate to be below URL to watch our installation video.

https://www.produnkhoops.com/video/hercules_installation.html

Installation of a Hercules Diamond basketball goal system by an experienced professional assembly crew. It shows the two step process starting with the pier installation followed by assembly of the basketball goal on the cured pier. Tips and explanation is given throughout by the experts at www.produnkhoops.com.



https://www.produnkhoops.com/video/hercules_installation.html



Pro Dunk Accessories

https://www.produnkhoops.com/basketball_goals/accessories/



Why stop playing in the evening. You don't have to! Order the **Pro Dunk Goal Light LED**. It easily lights up the entire 3-point line with 2 powerful LED lamps extending play into the night. **There's always time for one more game!**

[patent pending 62458721]

Comes with **Free Shipping!**



[Goal Light LED!](#)

produnkhoops.com/video/goal_light_led.html



Haven't you always wanted your playing area to have regulation striping like a real basketball court. Well now you can with the **Court Marking Stencil Kit**. Just lay it out on your court and applied the included white paint. **Includes the key with side markings, freethow, and the entire 3-point line.** Fully reusable and a great family DIY project.

Comes with **Free Shipping!**



[Court Marking Stencil](#)

produnkhoops.com/video/court_marking_stencil_kit.html



Customize your pole padding with anything you can think of including family, NBA, college, high school, church or school names. Made of high quality outdoor 3M vinyl. Solid white characters are pre-spaced on transfer paper for easy application to your pole padding.

Comes with **Free Shipping!**



[Custom Pole Pad Lettering](#)

produnkhoops.com/video/pole_pad_lettering.html

Day 1

ANCHOR SYSTEM INSTALLATION INSTRUCTIONS

WARNING

Before digging the hole for this pole, check for buried power, gas, water, and telecommunication lines! Failure to do so could result in serious or fatal injury! Contact your local utility company if unsure.

1) Installation Location

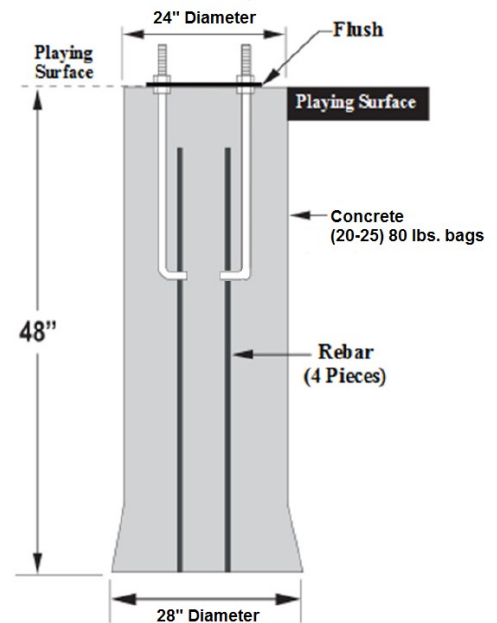
Choose the proper location to dig for the concrete footing. Use the distance chart on the previous page to help you make your decision. When choosing the exact position to dig, make sure to maximize the amount of playing surface while minimizing possible driveway obstruction.



2) Digging Pier Hole

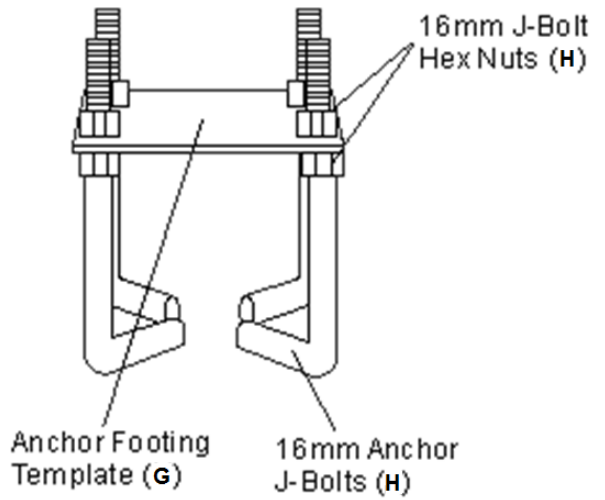
Dig hole 48" deep and 24" square. Be sure to bell out the bottom of the hole 28" to give added stability to the footing.

NOTE: *If you live in an area where the frost line is below 48" it is advisable to dig to normal frost line.*



3) Anchor Assembly

Twist (4) 16mm Hex Nuts (H) to the bottom of threads on (4) 16mm Anchor J-Bolts (H). Place these J-bolts through the holes on the black anchor plate (G) and install (4) 16mm Hex Nuts (H) and tighten. The bottom of the J-bolts should be positioned as shown.



NOTE: *There will be (8) flat washers and (4) gusseted hex nuts left over after the Anchor Assembly. These will be used on the Assembly Day. You can set them to the side for now.*

 [Assembling Anchor](https://produnkhoops.com/video/assemble_anchor.html)
produnkhoops.com/video/assemble_anchor.html

4) Pouring Concrete and Setting Pier Kit

 [Building Concrete Wood Form](https://produnkhoops.com/video/wood_form.html) (optional)
produnkhoops.com/video/wood_form.html

For this step you will need: level, broomstick and tape measure. The 48" x 24" anchor footing will require a little over a 1/2 yard of 3000 psi concrete (20-25 80 pound sacks of premix concrete). More will be needed if you dig a larger hole.

NOTE: *Make certain that you have enough concrete to finish the job. Allowing a portion to dry while you purchase more concrete will weaken the footing.*

Mix (20-25) 80 lbs. bags of concrete in wheel barrow or cement mixer and pour in pre-dug hole about half full. Agitate concrete with shovel or broomstick to ensure proper fill. Place (4) Pieces of Rebar (Q) in the middle of the hole about 8 inches apart to create a square in the middle of the hole. All 4 pieces of Rebar (Q) need to overlap the J-bolts (H) at least 6 inches.

NOTE: *Mix concrete to manufacture specifications.*



Pour the remaining concrete into the hole until completely full and coming out of the top. Using a trowel, smooth the concrete to your preferred liking.



NOTE: The top of the concrete needs to be level with or higher than your playing area to ensure you system will adjust to 10ft regulation height.

Place the assembled anchor system in hole to the point where the bottom of the black anchor plate (G) is flush with the top of the finished concrete.

NOTE: The (4) 16mm J-Bolt Hex Nuts (H) on the bottom of the Anchor Footing Template (G) will be sacrificed into the concrete.

Use the level to ensure that the pier anchor template (G) it is level in all directions. Additionally, the center line of the 16mm Anchor J-Bolts (H) must be parallel with the edge of the playing surface.



Once completely smooth let the concrete cure. This can take up to a week. Consult the instructions on the concrete bag for curing times and directions.

Day 1 Complete!

Day ~5

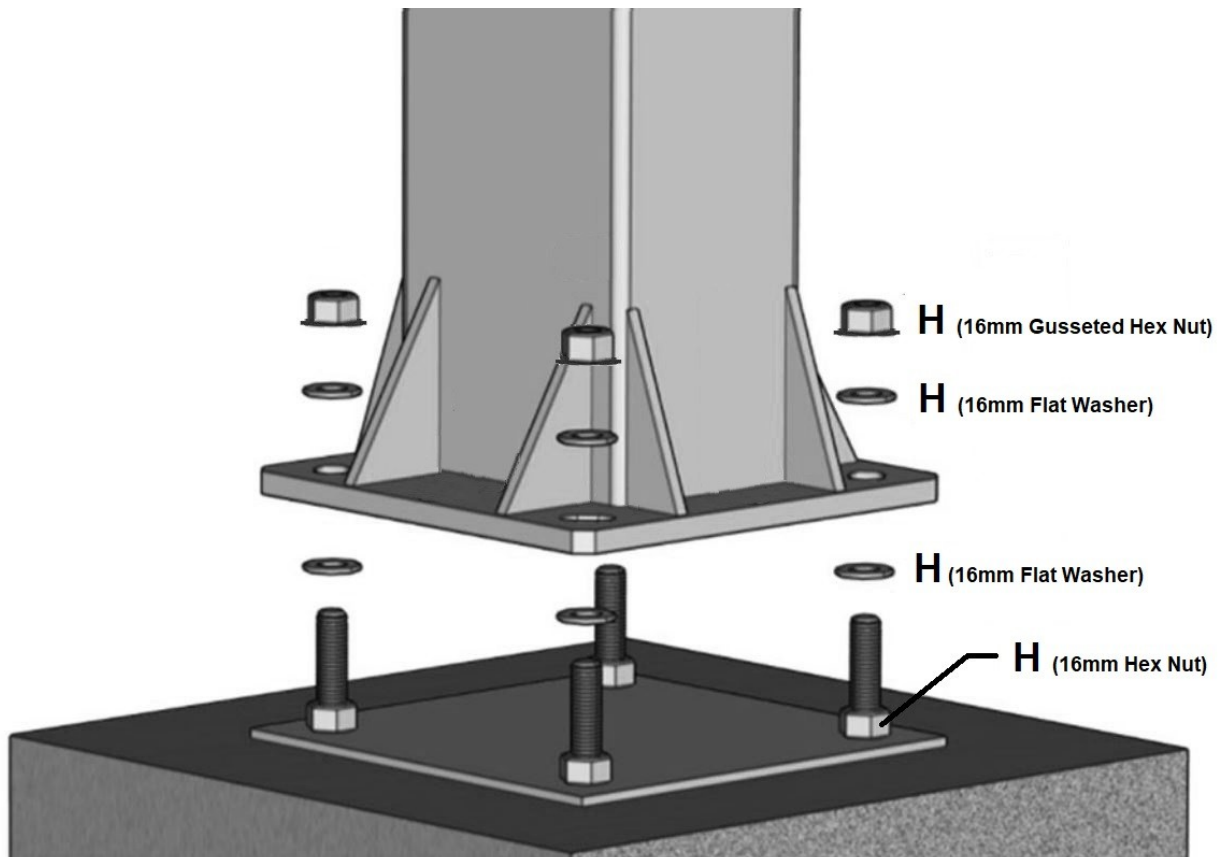
Hercules™ ASSEMBLY INSTRUCTIONS



5) Main Pole Assembly

Loosen the top four 16mm J-Bolt Hex Nuts (H) from the 16mm Anchor J-Bolts (H). Level all four 16mm J-Bolt Hex Nuts (H). Leave Anchor Footing Template (G) in place.

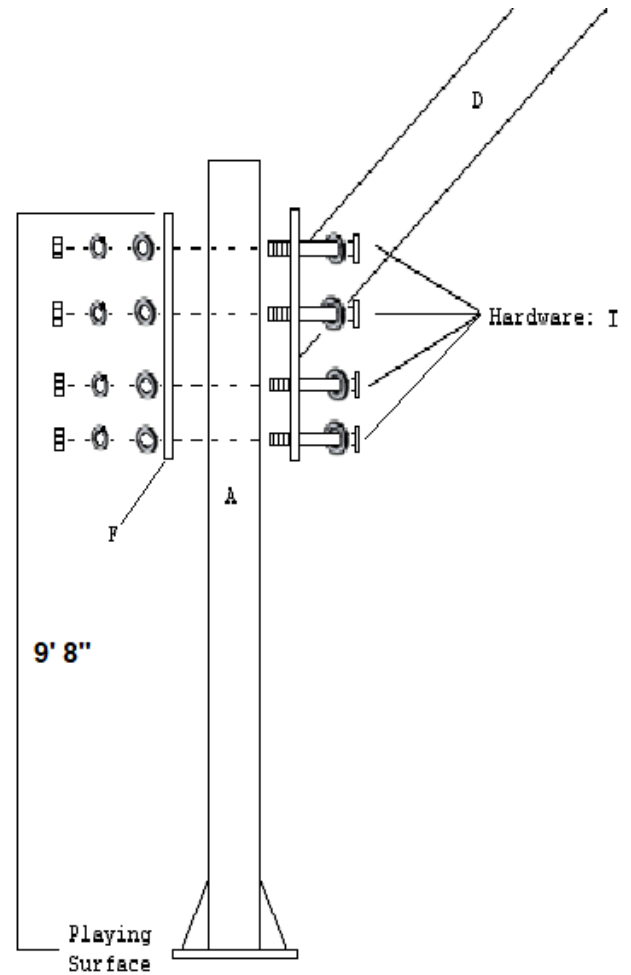
Install (4) metal washers (H) on top of the anchor bolts (H). Install the main pole (A) show to the right. Install (4) metal washers (H) to top of the anchor bolts (H). Install (4) flanged hex nuts (H) to top of the anchor bolts and tighten down. **Make sure that base plate is square to playing surface.**



6) Main Extension Arm Assembly

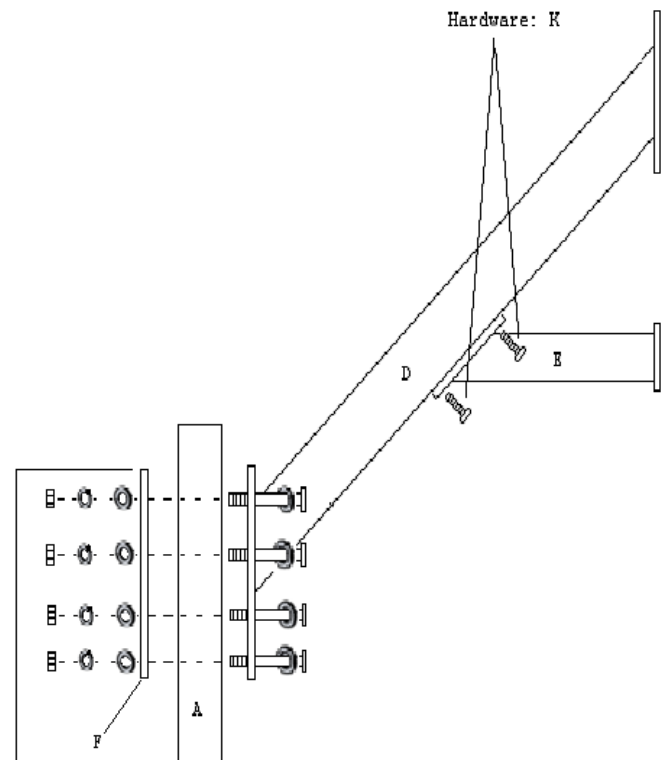
Install the 45 degree Main Extension Arm (D) as shown. It can be mounted loosely at ground level and slid up the Vertical Post (A) or mounted at correct height depending on lifting equipment available. **(Be careful to not scratch the Vertical Post (A))**

Use 28cm x 21cm Rear Extension Arm Plate (F), (8) 22cm x 18mm Rear Extension Arm Bolts (I), (16) 18mm Flat Washers (I), (8) 18mm Lock Washers (I), and (8) 18mm Hex Nuts (I). You may use a Genie lift, scaffolding, or other appropriate lifting equipment to raise the Main Extension Arm (D). Raise the top of the 28cm x 21cm Rear Extension Arm Plate (F) to **9' 8" above the playing surface**. This is your starting location for achieving 10' rim height. Tighten all (8) 18mm Rear Extension Nuts (I). **(be sure these are all level and tightened before installing the Backboard, H-Bracket (C))**



7) Short Extension Arm Assembly

Attach the Short Extension Arm (E) to the attachment points on the bottom side of the Main Extension Arm (D) using the (4) 3cm X 10mm Rear Short Extension Arm Bolts (K), (4) 10mm Flat Washers (K) and (4) 10mm Lock Washers.

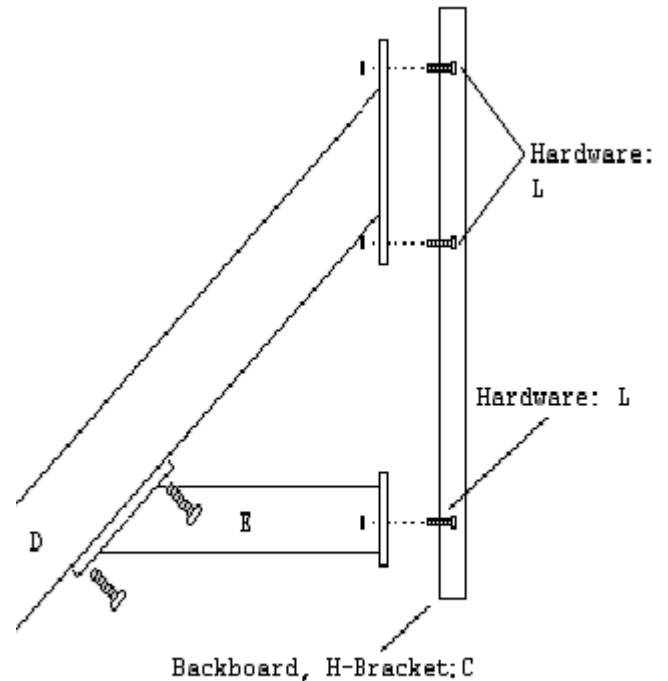


8) H-Bracket and Backboard Assembly

⚠ CAUTION: ATTACHING THE BACKBOARD REQUIRES AT LEAST FOUR CAPABLE ADULTS.

Install Backboard and H-Bracket (C) Using the (6) 4cm x 10mm H-Bracket to Main and Small Extension Arm Bolts (L), (6) 10mm Flat Washers (L) and (6) 10mm Lock Washers. A Genie lift, scaffolding, or other appropriate lifting equipment should be used to lift equipment.

The (8) pre-assembled H-Bracket to Backboard bolts, washers and nuts will need to be tightened as they come loose from the factory.



9) Level Backboard




Check face of backboard to see if it is level forward and back. If it is not level, correct it by adjusting the 16mm J-Bolt Hex Nuts (H) located underneath the Vertical Post (A) flanged base plate.



10) Rim Spacers Assembly

Prior to installing the rim, locate four Plastic and Steel Spacers (M). Insert them into four rim holes in the backboard. This is very important to prevent backboard breakage.

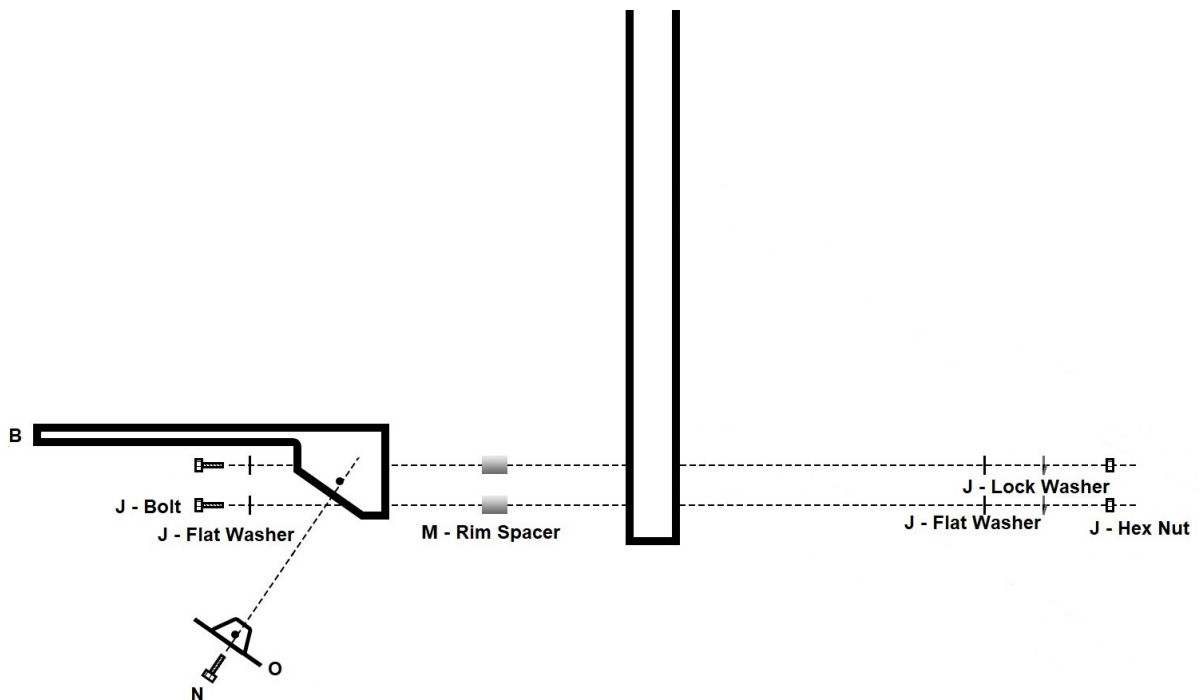
 **CAUTION:** Do not proceed with rim installation without these spacers!

 [Install Rim Spacers](https://produnkhoops.com/video/rim_spacer.html)
produnkhoops.com/video/rim_spacer.html



11) Rim Assembly

Mount the Rim (B) to the H-Frame Backboard Mount (C) and Backboard Assembly (C) using the (4) 7.5cm X 10mm Rim Bolts (J), (8) 10mm Flat Washers (J), (4) Lock Washers (J) and (4) 10mm Hex Nuts.



NOTE: Use a level to make sure rim is level side to side before tightening nuts

OPTIONAL: If desired, you can level the rim front to back using shim washers placed between the rim spacer (M) and Rim (B).



Using (2) Rim Plate Screws (N) attach the Metal Rim Plate (O) to the rim (B). The Metal Rim Plate (O) covers the springs in the Rim (B) as shown below.



[Replace Net](https://produnkhoops.com/video/rim_net_replacement.html)

produnkhoops.com/video/rim_net_replacement.html

Make sure all nuts on the system have been tightened.



Hook a tape measure to the rim and measure down to the playing area. This should measure 10 feet. If it does not make the necessary adjustments.

Make sure all nuts on the system have been tightened.

NOTE: *It is advisable to wait up to two weeks to allow the anchor footing to fully cure before aggressive play.*

TIP: *To make minor adjustment to the rim height you can raise and lower the system using the leveling hex nuts under the base of the main pole.*

15) Protective Padding Assembly

Attach gusset padding if removed during installation. Attach using the Velcro on the back of the gusset padding to secure it to the base of the system.

Attach pole padding if removed during installation. Attach using the Velcro on the back of the pole padding to secure it to the main pole of the system.

If protective backboard padding was purchased separately you will attach that at this point. Please follow the directions included with the backboard padding.

16) Maintenance

Like any piece of hardware proper maintenance is required. Several factors such as the environment, organic materials, herbicides, pesticides, excessive use or misuse can eventually cause the basketball system to require maintenance. Failure to do so could result in system failure, property damage, or even personal injury.

1) All organic materials should be kept away from the system at all times. This will alleviate any chance of rust penetrating the powder coated finish and causing structural damage.

Examples: grass clippings, moisture, garbage, dirt, etc.

2) If you see any signs of rust on the system remove the loose paint, sand the area with a media grit sandpaper and apply outdoor enamel to the affected area.

Suggested Touchup Paint: Rustoleum Semi-Gloss Black Enamel

3) To clean the backboard use a 100% cotton soft cloth with mild dishwashing liquid for soap and luke warm water. Rinse backboard with lukewarm water. Wash gently with a 100% Cotton soft cloth, lukewarm water and mild soap. Do not scrub. Rinse backboard with lukewarm water again. Dry with 100% cotton soft cloth. To minimize scratches and minor abrasions to your backboard.

4) Replace Net Video—



[Replace Net](https://produnkhoops.com/video/rim_net_replacement.html)

produnkhoops.com/video/rim_net_replacement.html

17) Routine System Inspection

Before each use inspect the entire system for any signs of Loose nuts and bolts, any excessive wear and tear, any signs of rust or corrosion.

If replacement parts are needed you can contact Pro Dunk® Hoops directly or navigate to www.produnkhoops.com/parts to purchase parts for your system. Only parts provided by Pro Dunk® Hoops should be used for repair. Not doing so could cause the system to fail resulting in injury or death and voids the limited lifetime warranty.

Hoops Inc. Pro Dunk® Limited Lifetime Warranty

Hoops Pro Dunk® basketball structural components are warranted to the original purchaser to be free from defects in material or workmanship for the duration of ownership by the original retail purchaser. The word “defects” is defined as imperfections that impair the use of the product.

Warranty Fulfillment

Merchandise must be shipped prepaid with a copy of proof of purchase to Hoops Inc. for examination to see whether it needs to be repaired or replaced. Any labor costs, travel expenses and any other changes involved in the removal, installation or replacement of the defective/repared parts from/to your Hoops Pro Dunk® system will be your (the purchaser's) responsibility. Shipping charges for replaced or warranted merchandise being sent back to the customer must be prepaid by the customer in advance. If not, the replacement shipment will be sent out collect. Hoops Inc. reserves the right to examine photographs or physical evidence of merchandise claimed to be defective, and to recover said merchandise, prior to authorization of warranty claims.

What is not covered by this warranty

This warranty does not cover defects or damage due to improper installation, shipping, handling, alteration, accidents, vandalism, weather conditions (rusting), exposure to corrosives, negligence, misuse (anything other than a type of basketball activity or related contact with the unit), scratching, scuffing or any event beyond the control of the Hoops Inc.. If unit is not maintained as stated in the user manual the warranty will be void.

Liability

Hoops Inc. shall not be liable for indirect, special, or consequential damages arising out of or in connection with the use or performance of the products or other damages with respect to any economical loss, loss of property, loss of enjoyment of use, costs of removal, installation or other consequential damages for breach of any expressed or implied warranty on these products.

Guidelines

Keep your proof of purchase (original retail purchaser). Without it, we will not be able to proceed with any warranty service.

Call

1-888-600-8545 / Warranty Dept.

Write

Hoops Inc.
Attn: Warranty Dept
22047 Lutheran Church Rd.
Tomball TX 77377

Email

support@hoopsincorporated.com

For the most up to date warranty information please navigate to www.produnkhoops.com.